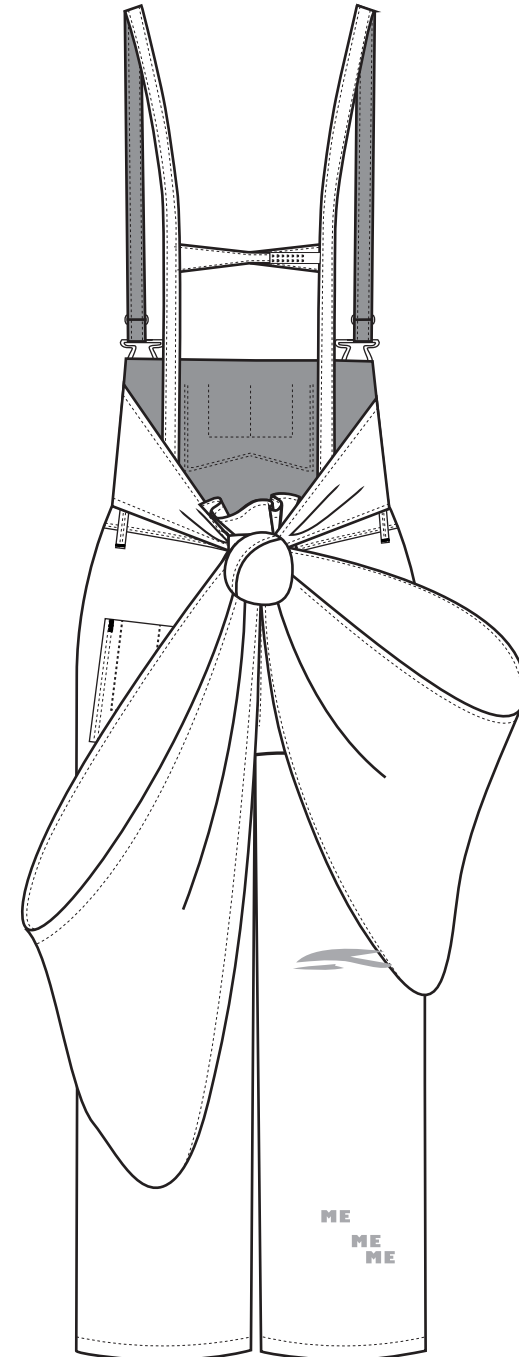
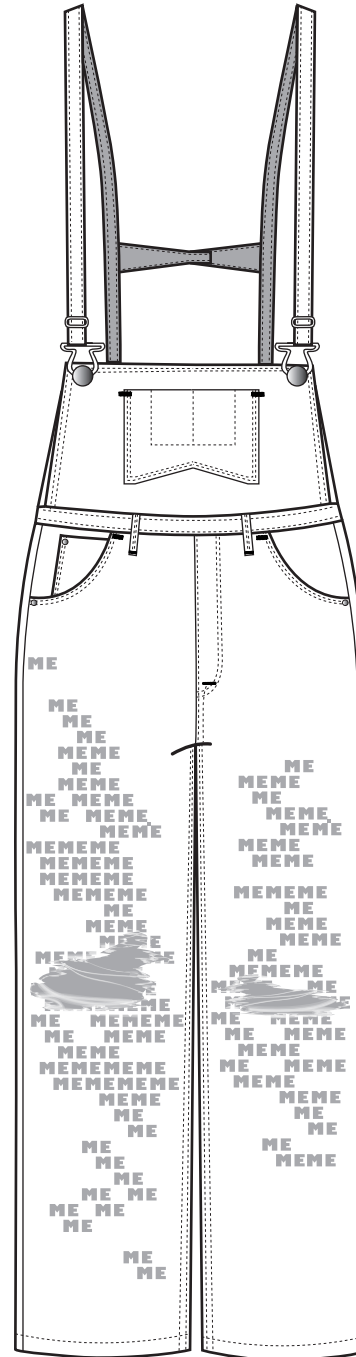
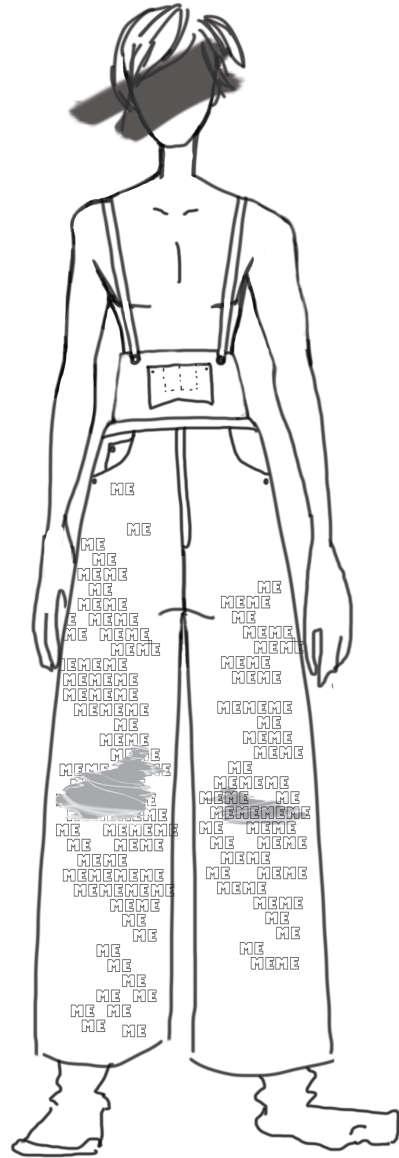


BOW OVERALL 1/14
MENSWEAR

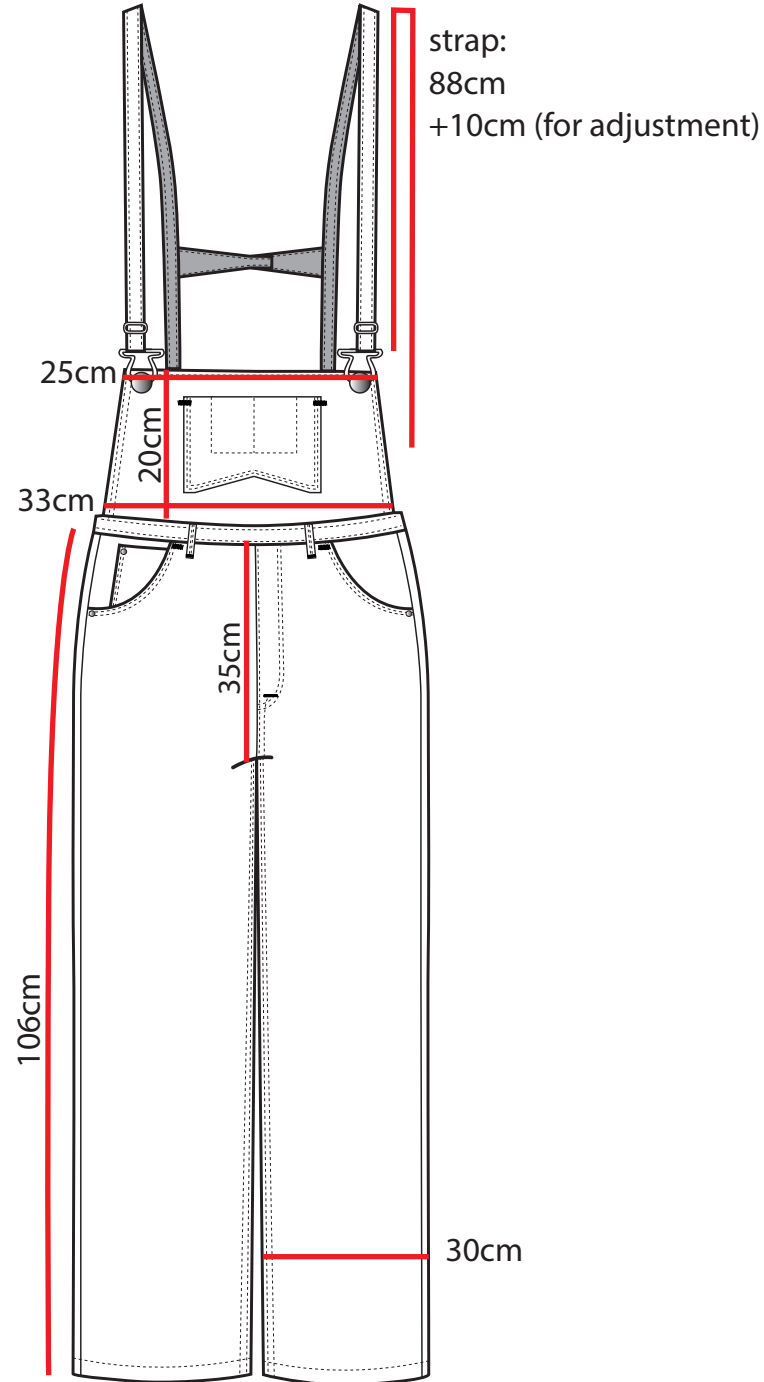


BOW OVERALL 2/14

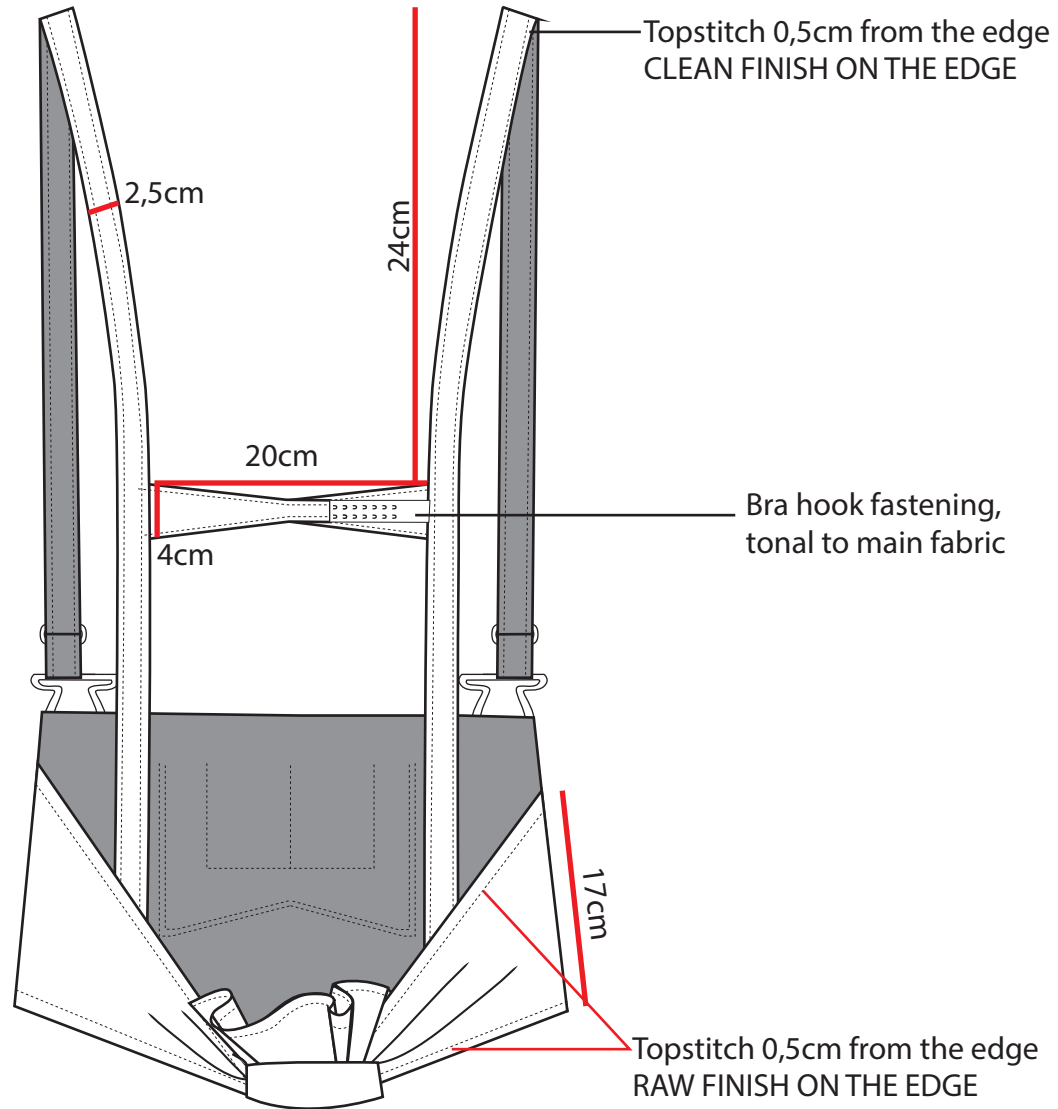
FIT AND DIMENTIONS

- SHORT FRONT FLAP & OVERLONG SHOULDER STRAPS
- STRAIGHT, WIDE LEG
- DROPPED CRTOCH
- WAISTBAND ON UPPER HIP

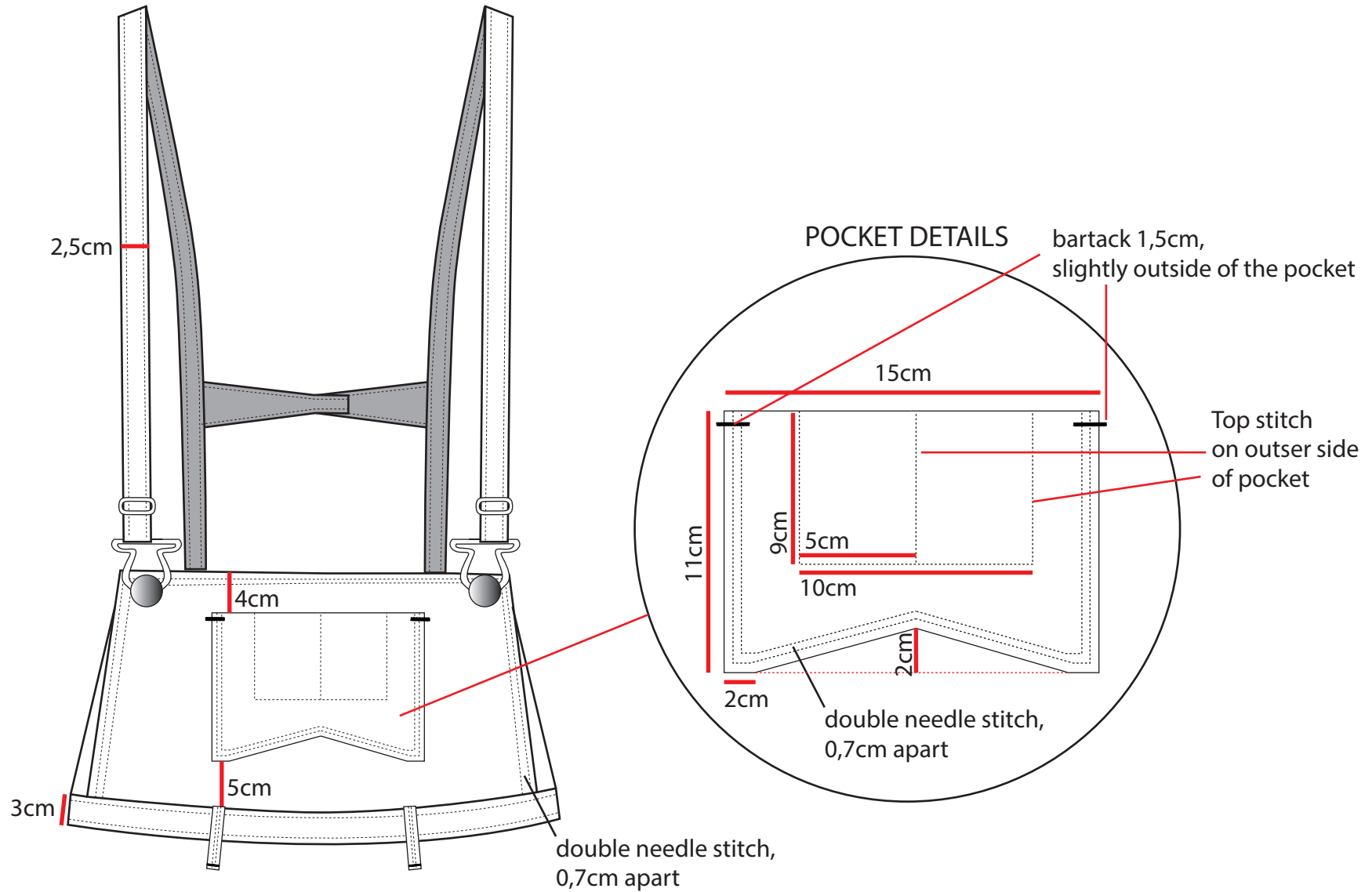
FIT REFERENCE



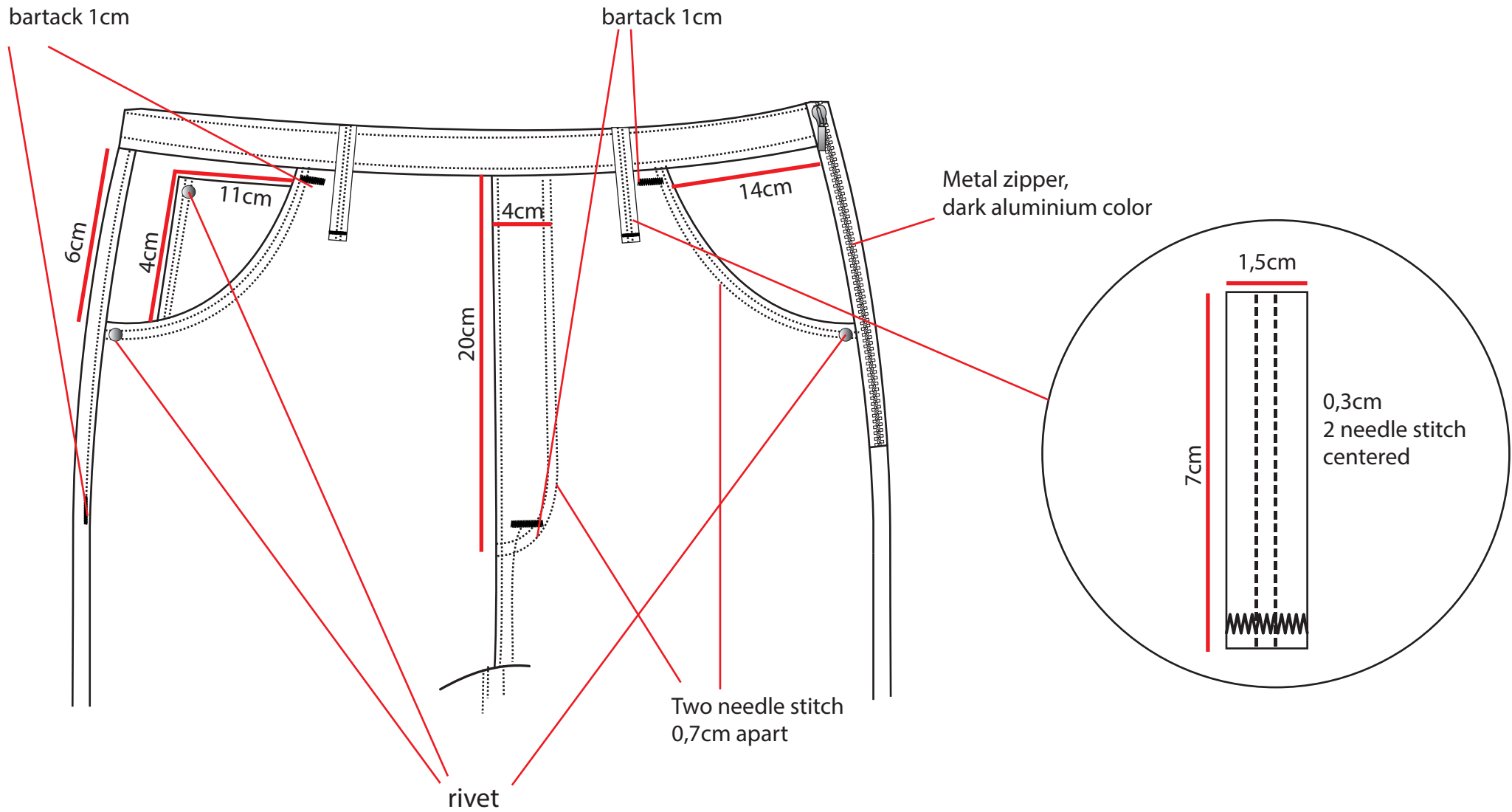
BOW OVERALL 4/14
TOP DETAILS – BACK



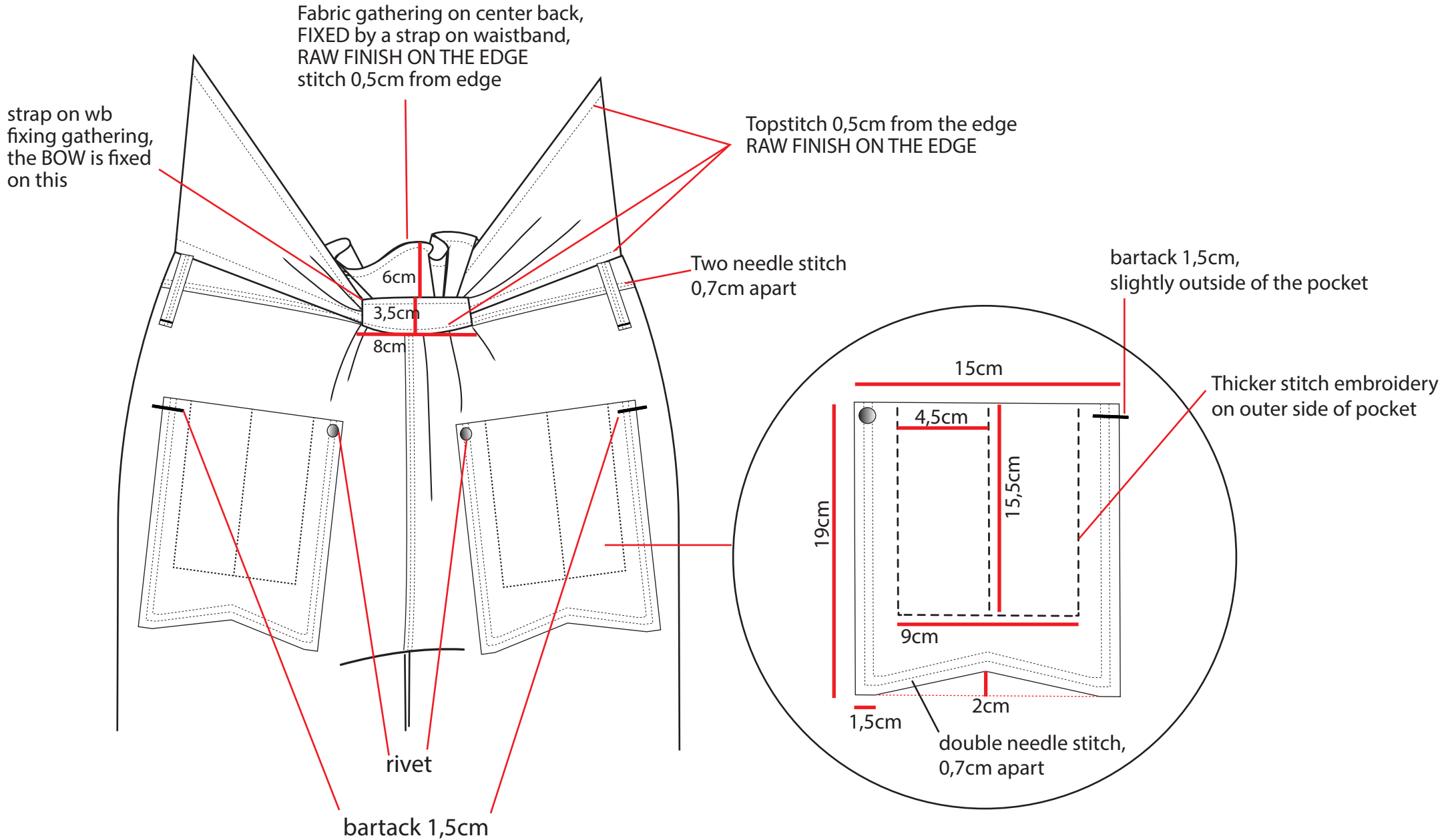
BOW OVERALL 3/14
TOP DETAILS – FRONT



BOW OVERALL 5/14
BOTTOM DETAILS – FRONT

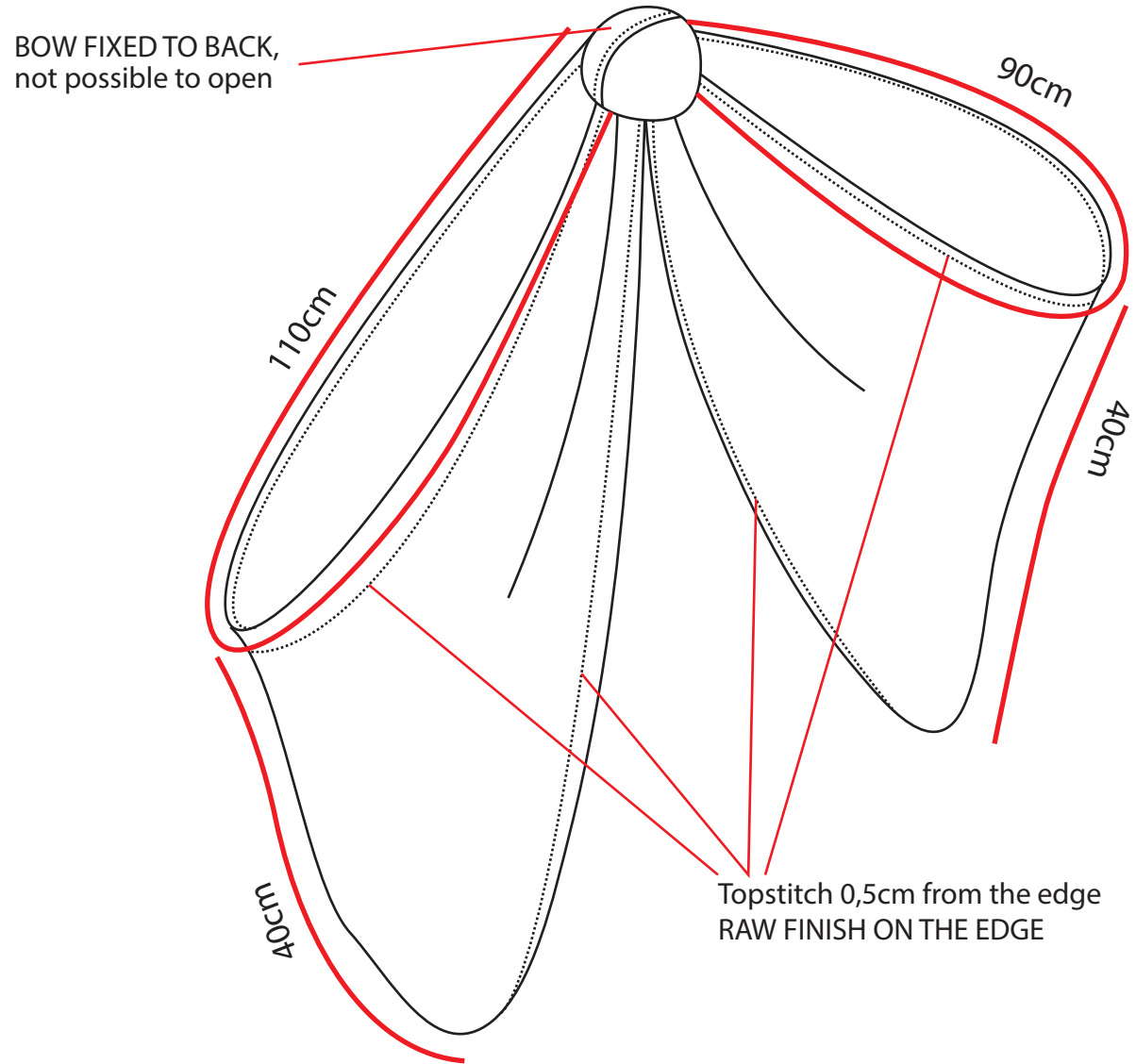


BOW OVERALL 6/14
BOTTOM DETAILS – BACK

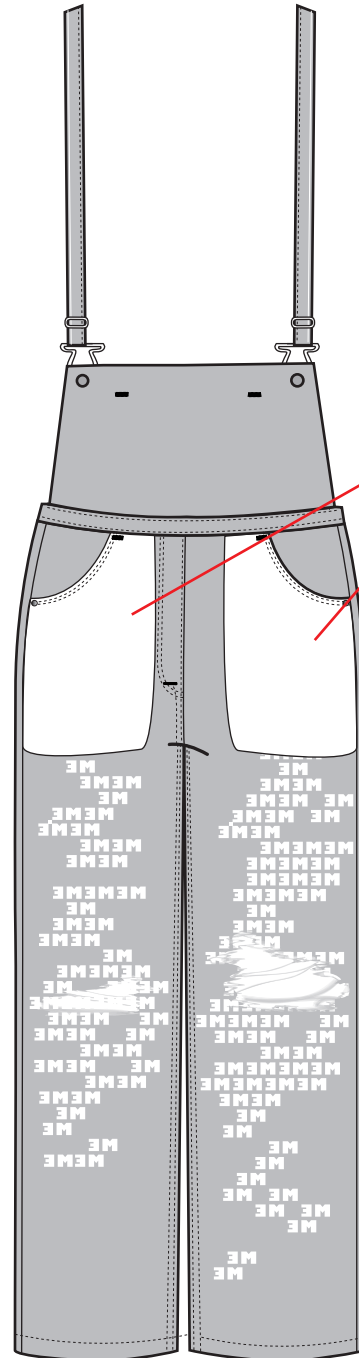


BOW OVERALL 7/14

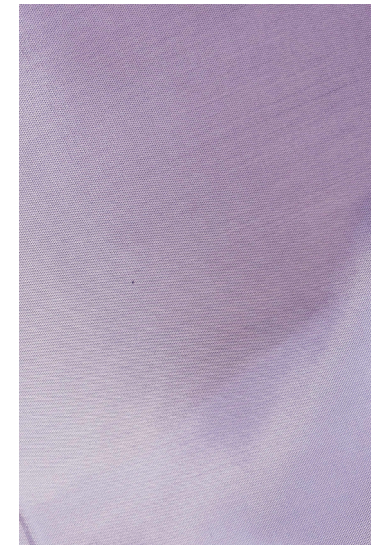
BOW DETAIL



BOW OVERALL 8/14
POCKETING



CONTRASTING POCKETING FABRIC
Shiny, lilac satin



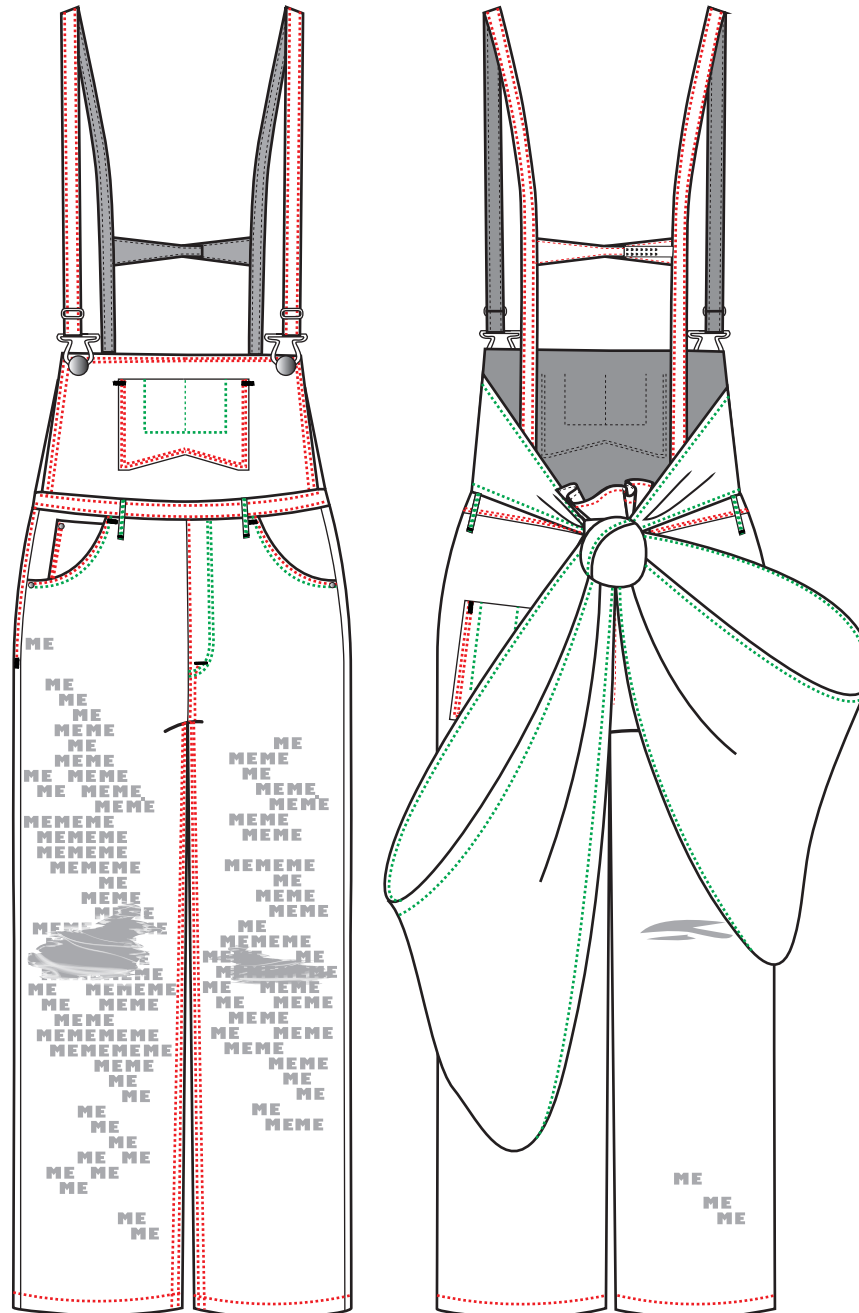
BOW OVERALL 13/14

WASH REFERENCE

- Bright, mid blue wash
- High contrast on high/low wash effect
- Natural worn out look, high contrast scraping on front flap, front leg, whiskers and back on seat
- No scraping behind knee



BOW OVERALL 9/14
THREADS



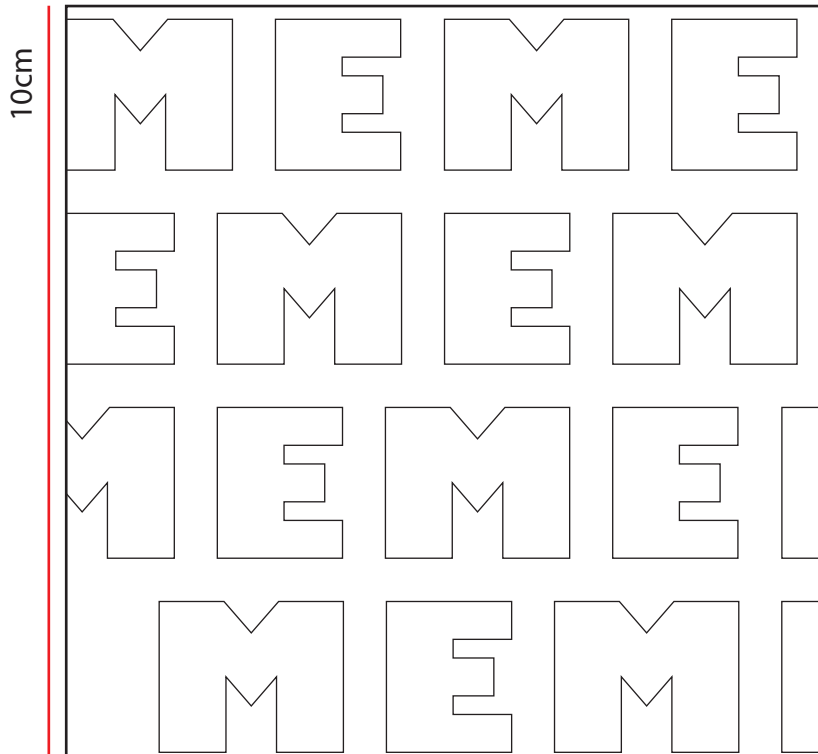
TOPSTITCH MARKED WITH RED
Thread matched to the base color

TOPSTITCH MARKED WITH GREEN
Cool beige (PANTONE 15-1216 TPX)

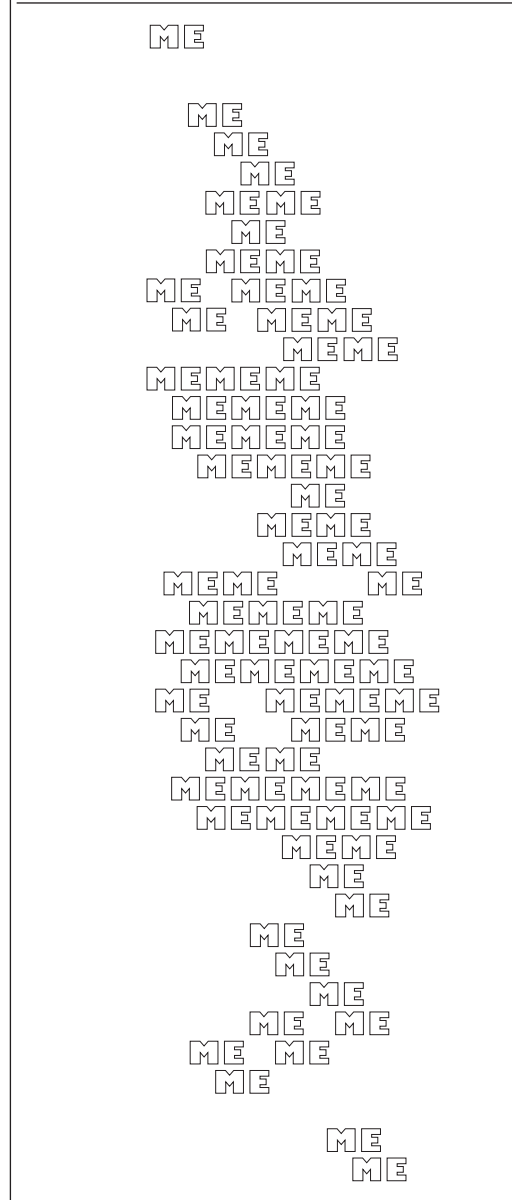
BOW OVERALL 10/14
LASER CUT ARTWORK

SCALE OF ARTWORK

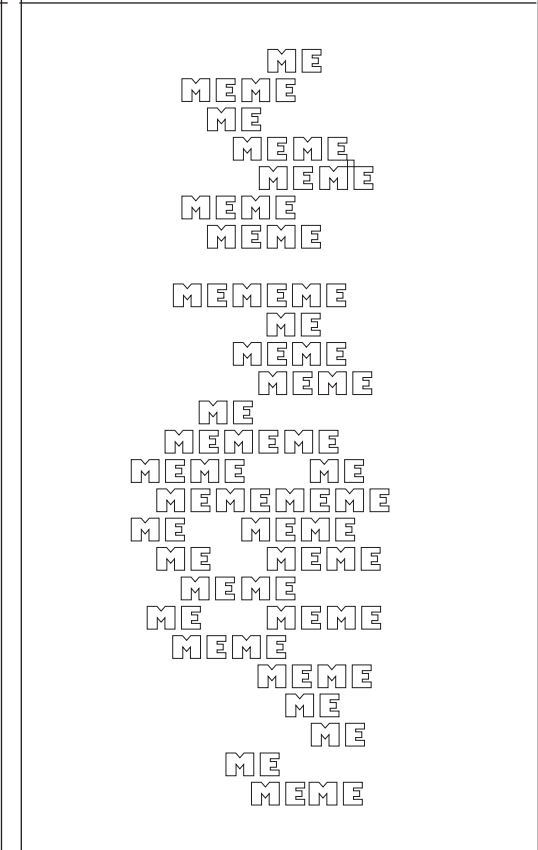
10cm



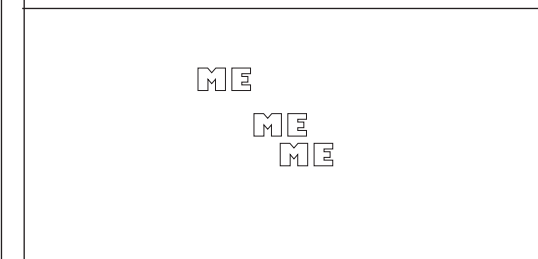
LASER CUT ARTWORK
- RWW LEG FRONT



LASER CUT ARTWORK
- LWW LEG FRONT



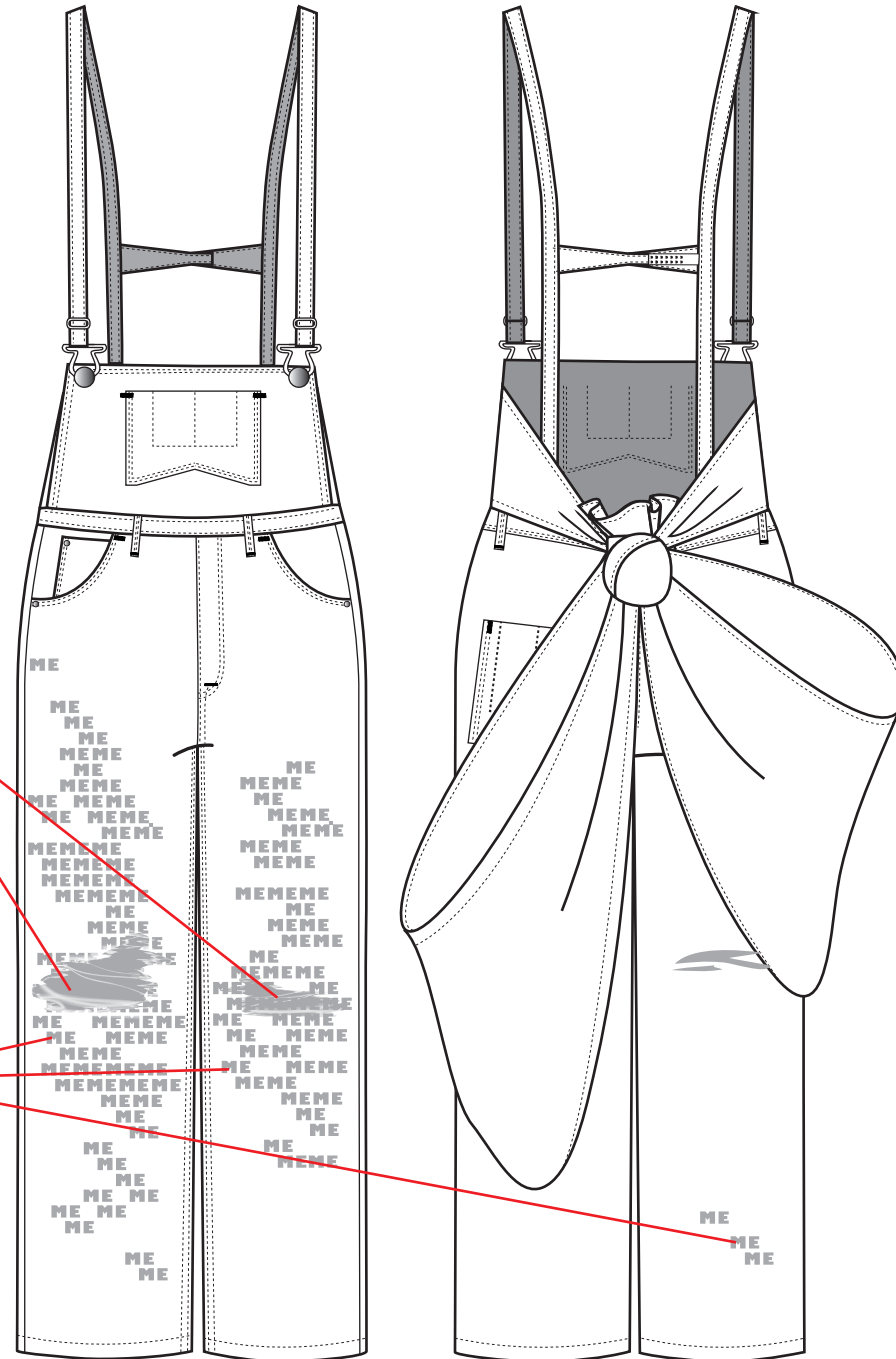
LASER CUT ARTWORK
- RWW LEG BACK



BOW OVERALL 11/14
DESTROY AND LASER CUT DETAILS

DESTROY HOLES ON BOTH KNEES
– bigger rip on rww leg
– both holes penetrating through
and showing skin

LASER CUT HOLES ON BOTH LEGS (see ARTWORK)
– holes on main fabric with skin showing through
on both legs front and rww back
– NOTE: the contrasting pocketing **should** show
through the holes
– position on leg as in drawing



BOW OVERALL 14/14
LABELLING

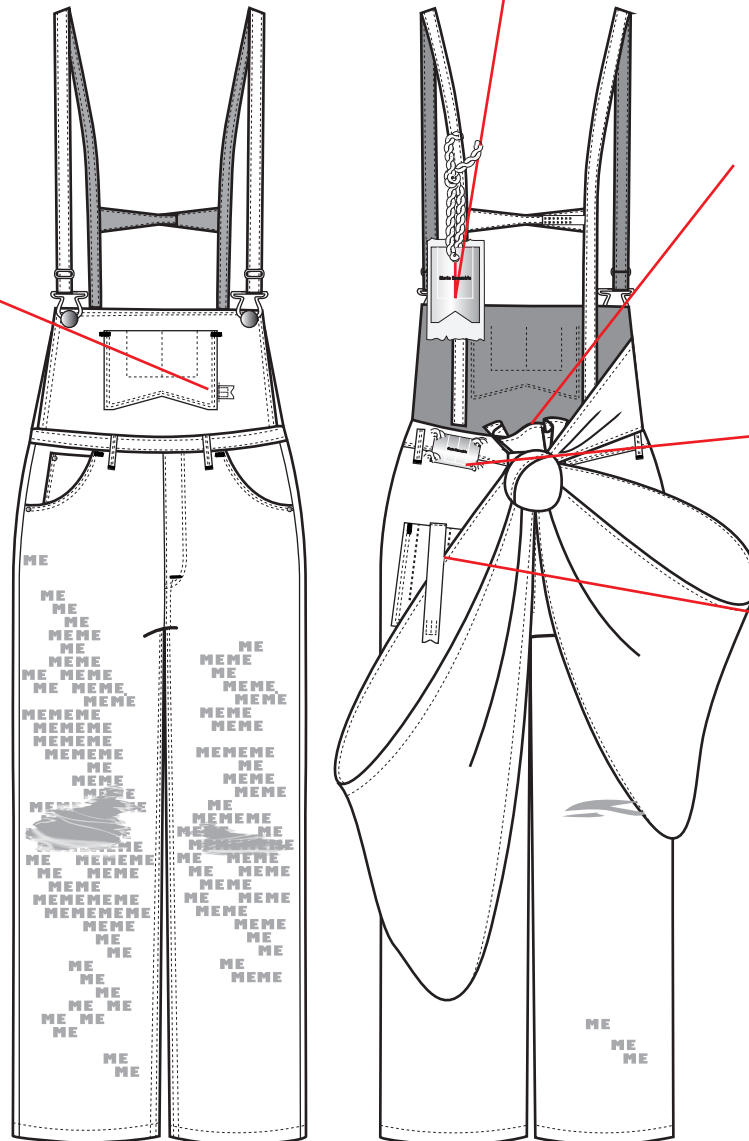
TAB
2cm from bottom of
front pocket lww

HANG TAG
hanging from shoulder strap

MAIN LABEL
Printed inside back
centered to the waistband overlapping it slightly

PATCH
2cm from belt loop lww
fixed on waistband overlapping it slightly

POCKET LABEL
Stitched on lww back pocket opening
2cm from the edge lww

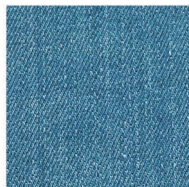


BOW OVERALL 12/14

FABRIC AND TRIMS

MAIN FABRIC:
47986

CONTRAST POCKETING:
Shiny satin weave
– Lilac (PANTONE13-3405)



Code: 47986

Composition:

94.5% Cotton
2.5% Elastane
3% Polyester

Category:

Stretch Fabric

Concept:

ISKO Future Face™ Twill

Technology:

ISKO Recall™

Weight:

Oz 12.75

Weave Description:

Particular fabric with a denim look, but ISKO Future Face™ technology. It feels like a sweatshirt to the touch. Adapted to all kinds of treatment.

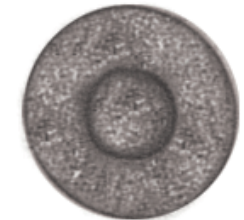
SHANK BUTTON 28L

- COLOR: ALUMINIUM
- PLACEMENT: Front, shoulder strap fastening
- Matt finish
- Logo printed on WHITE



RIVET 18L

- COLOR: ALUMINIUM
- PLACEMENT: front and back pockets, see instruction sheet
- Matt finish
- Logo printed on WHITE



ZIPPER YKK SIZE 4,5

- COLOR: DARK ALUMINIUM
- PLACEMENT: Closure on lww side seam
- Matt finish

SHOULDER STRAP CLIPS 55mm
AND ADJUSTMENT RINGS

- COLOR: Matt Aluminium
- PLACEMENT: On front, shoulder straps

